

# DA SERIES

MODULAR COMPRESSED AIR DRYERS  
20-120 SCFM





**SOME COMPANIES ARE FOUNDED ON HARD WORK.  
OTHERS ARE FOUNDED ON IDEALS.**

**FS-CURTIS WAS FOUNDED ON BOTH.**

More than 165 years ago, the FS-Curtis way of doing business was established through two key commitments: a dedication to building quality products and a dedication to responsive customer service.

Over the decades, the company and its products have evolved through innovation and new technologies. But those commitments to quality and service remain unchanged. Today, just as in 1854, FS-Curtis customers can depend on our products for reliable, long-term service. Equally as important, they can depend on getting the same from our people.

# A HISTORY OF EXCELLENCE

<b>1854</b>	<b>1857</b>	<b>1876</b>	<b>1897</b>	<b>1914</b>	<b>1940</b>	<b>1955</b>	<b>1976</b>
Curtis & Co. – Empire Saw founded in St. Louis, MO, USA	Earned Agricultural and Mechanical Fair award for excellence and quality	Named Curtis and Co. Manufacturing	Built first reciprocating air compressor that later evolved into the Master Line Series	Supported U.S. Government efforts by producing more than 2 million Howitzer shell forgings	Designed and developed mobile oxygen compressors to be used in Aerospace applications	Merged with U.S. Air Compressor Company, Central Petroleum Company, Lewis Machine Company	Merged with Toledo Tools as Curtis-Toledo Inc.
<b>1979</b>	<b>1995</b>	<b>2005</b>	<b>2006</b>	<b>2010</b>	<b>2015</b>	<b>2016</b>	<b>2017</b>
Introduction of Challenge Air Series reciprocating air compressors	Began manufacturing and assembling Rotary Screw Air compressors	Expanded global market reach by joining forces with Fusheng Industrial	U.S. Headquarters certified as ISO9001:2000 and ISO14001:2004	Introduced next generation GSV Variable Speed Rotary Screw compressors	Introduced Nx series Fixed and Variable Speed Rotary Screw compressors	Nx Series named Plant Engineering's 2015 Product of the Year - Gold Award for Compressed Air	Nx Series claims Plant Engineering's Product of the Year - Gold Award 2nd year in a row



# NO-NONSENSE, SIMPLE AND EFFECTIVE

## COMPLETE MODULAR DRYING SYSTEMS

The DA provides bone dry air so your paint jobs come out perfect every time. When combined with pre-filtration and post-filtration, you have the ideal solution for eliminating air contaminants that cause issues with paint spraying, whether water or solvent borne. DA Series offers compressed air users a simple and effective no-nonsense approach to dry compressed air. Great for use with any type of compressor including piston, scroll, rotary vane or rotary screw technologies. The ability to function with inlet temperatures to 150°F makes it ideal for use with tank mounted reciprocating air compressors that lack an aftercooler.



# TECHNICAL DATA

MODELS	MODULES USED	SCFM	VOLTAGE	RECOMMENDED **Coalescing Pre-filter	WEIGHT (Lbs.)
DA-220E	220E	20	115V	CF5-16-4DPL	47lbs
DA-230E	230E	30	115V	CF5-16-4DPL	47lbs
DA-240E	240E	40	115V	CF5-20-4-DPL	49lbs
DA-450ES	230E, 220S	50	115V	CF5-24-6-DGL	95lbs
DA-460ES	230E, 230S	60	115V	CF5-24-6-DGL	95lbs
DA-470ES	240E, 230S	70	115V	CF5-24-6-DGL	97lbs
DA-480ES	240E, 240S	80	115V	CF5-24-6-DGL	97lbs
DA-6100ESS	240E, 230S, 230S	100	115V	CF5-24-8-DGL	120lbs
DA-6120ess	240e, 240s, 240s	120	115V	cf5-24-8-DGL	122lbs

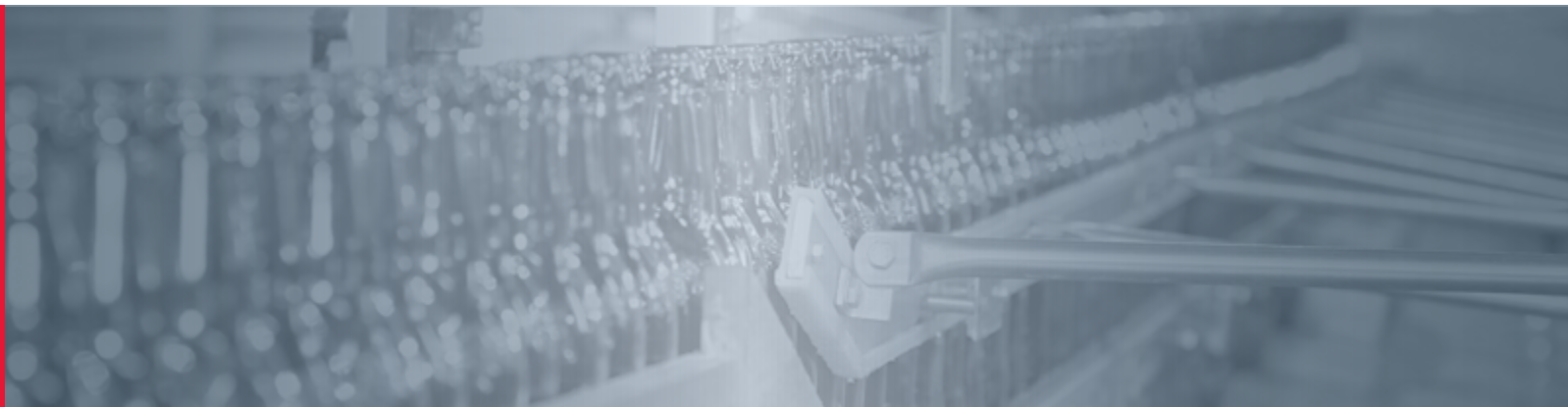
\*Models DA-220E, 230E, 240E include mounting bracket | \*Models DA-450ES, 460ES, 470ES, 480ES include mounting bracket, dual-module mounting strut & dual-manifold | \*Models DA-6100ESS, 6120ESS include mounting bracket, tri-module mounting strut & tri-manifold | \*\*Coalescing Prefilter with automatic drain is recommended for these standard dryer packages



## DA SERIES AT A GLANCE

### FEATURES AND BENEFITS

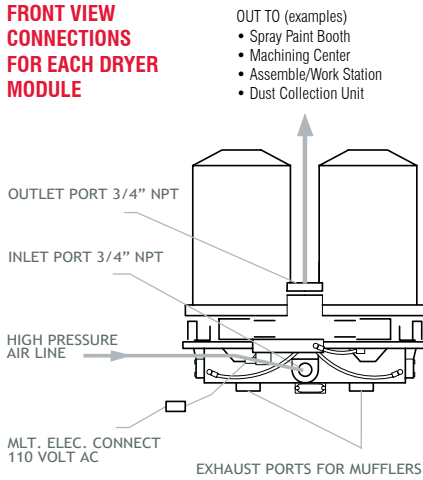
- Easy installation (universal wall mounting brackets) in a compact and expandable system, wall or compressor mounted
- Can be mounted on FS-Curtis compressors
- Alternative to a high inlet temperature refrigerated dryer
- Environmentally friendly, using no refrigerant
- Lowest operational and maintenance cost of any regenerative air dryer
- Molecular sieve desiccant in easy spin-on canisters
- Particulate afterfilter built into the canisters
- Operates uninterrupted in dirty or dusty environments
- 150° F maximum inlet temperature
- Air cooled aftercooler not required
- Additional options available



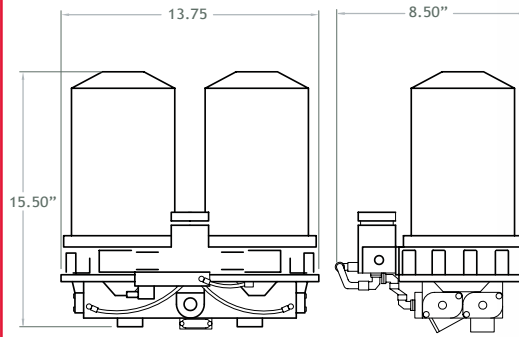
# COMPLETE MODULAR DRYING SYSTEMS

150°F max inlet temperature; Long life, Twin canister design; Wall mount requires no aftercooler; 100-175 PSI operating range; Cycles automatically; Simple installation; 115V switching timer with plug; Expandable modular design; Built-in afterfilter; Not affected by high ambients.

## FRONT VIEW CONNECTIONS FOR EACH DRYER MODULE



## DIMENSION PER DRYER MODEL



## MODEL: DA-480ES DRYER WITH PREFILTER, MOUNTED ON RS20T AIR COMPRESSOR



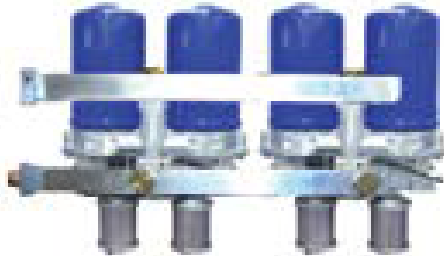
Many compressor mounting options available. Consult factory for details.

## AS SIMPLE AS 1, 2, 3

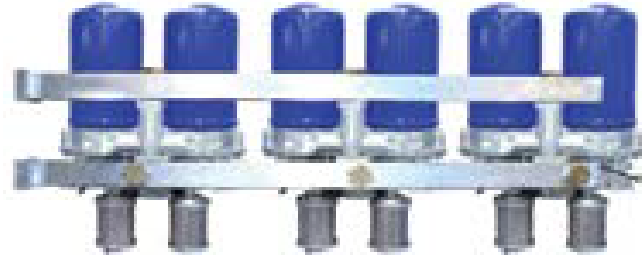
Expandable design allows for an increasing air requirement by simply adding additional modular units. Simple installation!



DA-220E, DA-230E,  
DA-240E



DA-450ES, DA-460ES,  
DA-470ES, DA-480ES



DA-6100ESS, DA-6120ESS



## CONTINUED COMMITMENT

A company history that dates back more than 160 years is a company history that, to us, is just the beginning. FS-Curtis is committed to offering a world-class portfolio of products. Through the dependability of our people and our quality-focused manufacturing, FS-Curtis will continue to be the most trusted and dependable name in compressed air serving even more markets through our ever-growing global presence.

You can count on **FS-Curtis** to approach the next 160 years by staying true to the values and strengths that are appreciated by our customers today.

## A WORLD OF DIFFERENCE

The FS-Curtis headquarters in St. Louis, Missouri, U.S.A. is the anchor of a larger global network. FS-Curtis builds quality products — and a quality reputation — at locations around the world.

In addition to our manufacturing and packaging locations, a large global network of sales agents and distributors ensures that sales and service support is available around the world, day in and day out.

### ST. LOUIS, MO USA (HEADQUARTERS)

PUNE, INDIA | JUNDIAI, BRAZIL | OBERHAUSEN, GERMANY | SHANGHAI, CHINA | TAIPEI, TAIWAN | PITTSBURGH, PA USA (FS-ELLIOTT)  
ZHONGSAN, CHINA | BEIJING, CHINA (FUSHENG) | ZHONGSAN, CHINA (FUSHENG) | HO CHI MINH CITY, VIETNAM (FUSHENG)



#### CURTIS-TOLEDO, INC.

1905 KIENLEN AVENUE | ST. LOUIS, MO 63133

314-383-1300

WWW.FSCURTIS.COM | INFO@FSCURTIS.COM

Distributed By:

 **Manufacturers  
Distributor, Inc.**  
11205 Challenger Ave  
Odessa, FL 33556  
(727) 847-4900 | mdisales.com

CORPLITERATURE: FSL-DRYFLBREV3  
Improvements and research are continuous at  
FS-Curtis. Specifications may change without notice.

ISO 9001  
ISO 14001

© 2019 CURTIS-TOLEDO, INC.

